
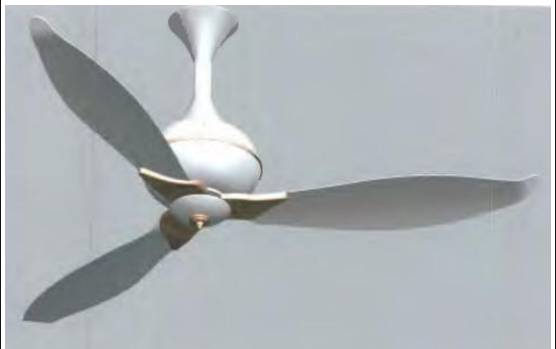



Design Number	392151-001	
Class	24-02	
1. Dr. Shede Prafulla Namdeo Building No. 14, Flat No. 164, Netaji Nagar, Wanawadi, Pune-411040, Maharashtra, India 2. Pardeshi Sheetal Popatprasad Wing E, Flat No. 601, Windsor County, Ambegaon Budruk, Pune-411046, Maharashtra, India		
Date of Registration	01/08/2023	
Title	Centrifugal Tube with cap separator along with outlet	
Priority NA		
Design Number	364504-001	
Class	23-04	
RAKSHIT CHHABRA H-474, New Rajinder Nagar, New Delhi 110060		
Date of Registration	21/05/2022	
Title	FAN	
Priority NA		
Design Number	396304-001	
Class	15-03	
1. DR R SINGARAVEL DR R SINGARAVEL, PROFESSOR/REGISTRAR, DEPARTMENT OF SOIL SCIENCE AND AGRICULTURAL CHEMISTRY, FACULTY OF AGRICULTURE, ANNAMALAI UNIVERSITY, ANNAMALAINAGAR, TAMILNADU-608002, INDIA 2. DR M SEENIVASAN DR M SEENIVASAN, ASSOCIATE PROFESSOR, DEPUTY DIRECTOR-DDE, DEPARTMENT OF MATHEMATICS, ANNAMALAI UNIVERSITY, TAMILNADU-608002, INDIA 3. ANNAMALAI UNIVERSITY ANNAMALAI UNIVERSITY, ANNAMALAINAGAR, CUDDALORE DISTRICT, TAMILNADU-608002, INDIA		
Date of Registration	29/09/2023	
Title	NANO FERTILIZER DISPENSER MACHINE	
Priority NA		