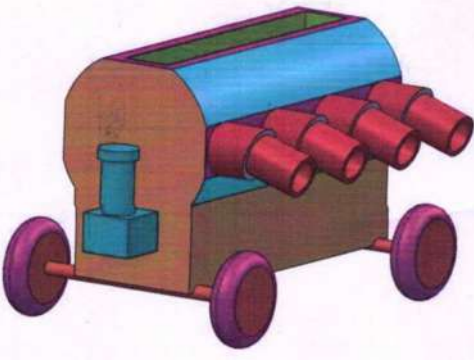
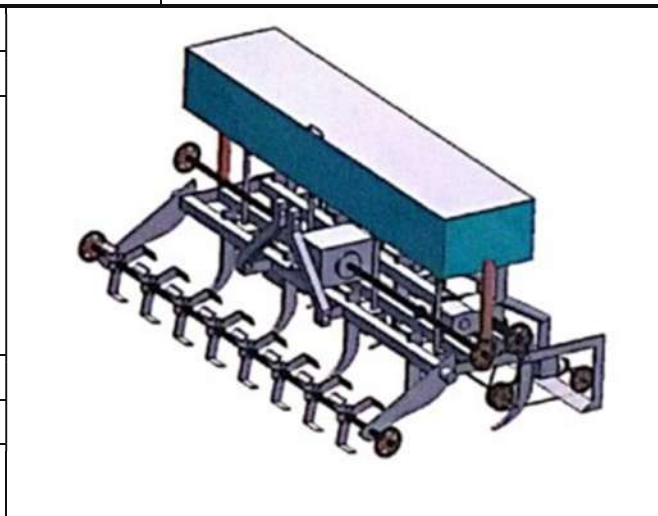


Design Number	416228-001	
Class	15-03	
1. ANNAMALAI UNIVERSITY ANNAMALAI UNIVERSITY, ANNAMALAI NAGAR, CHIDAMBARAM-608002, TAMIL NADU, INDIA 2. DR T SUTHIN RAJ DR T SUTHIN RAJ, ASSISTANT PROFESSOR, DEPARTMENT OF PLANT PATHOLOGY, FACULTY OF AGRICULTURE, ANNAMALAI UNIVERSITY, ANNAMALAI NAGAR-608002, TAMIL NADU, INDIA 3. DR A MUTHUKUMAR DR A MUTHUKUMAR, ASSISTANT PROFESSOR, DEPARTMENT OF PLANT PATHOLOGY, FACULTY OF AGRICULTURE, ANNAMALAI UNIVERSITY, ANNAMALAI NAGAR-608002, TAMIL NADU, INDIA 4. DR R SUTHA RAJA KUMAR DR R SUTHA RAJA KUMAR, ASSISTANT PROFESSOR OF PLANT PATHOLOGY, INSTITUTE OF HORTICULTURE, HORTICULTURAL RESEARCH STATION, PECHIPARAI, KANNIYAKUMARI, TAMIL NADU, INDIA , et al.		
Date of Registration	08/05/2024	
Title	NANO PESTICIDES DISPENSING MACHINE	
Priority NA		

Design Number	416243-001
Class	15-03
1. Vaibhav Jagan Suryawanshi A/p Kopargaon, Near Sanjivani Blood Bank, Vivekanandnagar, kopargaon 2. Pankaj Sanjay Chandar A/p. Khridiganesh, Tal- Kopargaon, Dist.- A. Nagar, State- Maharashtra 3. Shekhar Sudam Gaikwad A/p. Shirasgaon, Tal- Kopargaon, Dist.- A. Nagar, State- Maharashtra 4. Aniket Gorakhnath Sonawane A/p. Panvi Khurd, Chandgaon, Tal- Vaijapur, Dist- Chatrapati Sambhaji nagar, State- Maharashtra , et al.	
Date of Registration	08/05/2024
Title	An Automatic Sowing Machine
Priority NA	



Design Number	416253-001
Class	08-05
1. Dr. Sourabh Rajoriya Assoc. Professor, CE, SISTec-R Bhopal, 462043, Bhopal, M.P., India 2. Prof. S. S. Mishra Professor, CE Dept., NIT Patna, 800005, Patna, Bihar, India 3. Dr. Swajit Singh Goud Assoc. Professor, CE, SISTec-R Bhopal, 462043, Bhopal, M.P., India	
Date of Registration	08/05/2024
Title	Shape Memory Alloy Wire Based Damping Device
Priority NA	

